



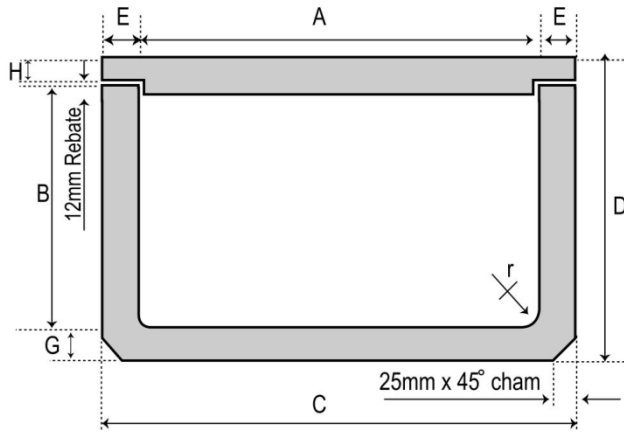
SOUTHERN CONCRETE SDN. BHD. (385615-W)

Address: PT 1097, 2 1/2KM, Off Jalan Pengkalan, Mukim Sg. Raya, 31300 Kg. Kepayang,
Perak Darul Ridzuan, Malaysia.

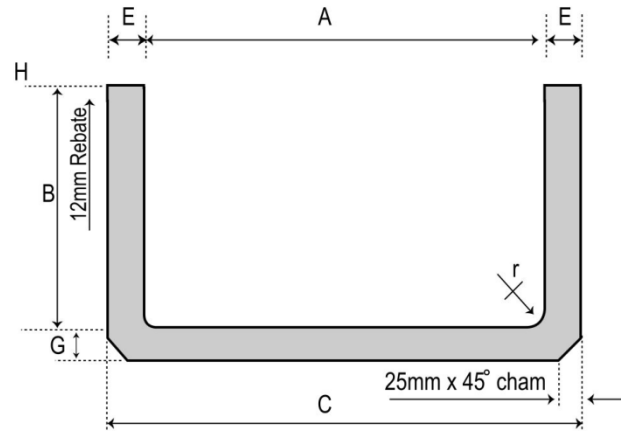
Tel: 605-357 4950

Fax: 605-357 4945

One Meter Length



SC PRECAST R. C. BOX CULVERTS



SC SUPERSIZE U-SHAPE DRAIN

Nominal Size		A	B	C	D	E	G	H	r	Water Area	Weight Per Unit	
mm	mm										mm	mm
		mm	mm	mm	mm	mm	mm	mm	mm	m ²	tonnes	tonnes
2100	x 900	2100	900	2460	1283	180	180	215	180	4.9140	1.28	1.91
	x 1050	2100	1050	2460	1433	180	180	215	180	2.2342	1.28	2.04
	x 1200	2100	1200	2460	1583	180	180	215	180	2.5652	1.28	2.17
	x 1350	2100	1350	2460	1733	180	180	215	180	2.8854	1.28	2.30
	x 1500	2100	1500	2460	1883	180	180	215	180	3.2163	1.28	2.43
	x 1650	2100	1650	2460	2033	180	180	215	180	3.5366	1.28	2.56
	x 1800	2100	1800	2460	2183	180	180	215	180	3.8675	1.28	2.69
	x 1950	2100	1950	2460	2333	180	180	215	180	4.1878	1.28	2.83
x 2100	2100	2100	2460	2483	180	180	215	180	4.5187	1.28	2.96	
2400	x 1050	2400	1050	2760	1433	180	180	215	180	2.5554	1.44	2.17
	x 1200	2400	1200	2760	1583	180	180	215	180	2.9336	1.44	2.30
	x 1350	2400	1350	2760	1733	180	180	215	180	3.2996	1.44	2.43
	x 1500	2400	1500	2760	1883	180	180	215	180	3.6778	1.44	2.56
	x 1650	2400	1650	2760	2033	180	180	215	180	4.0438	1.44	2.69
	x 1800	2400	1800	2760	2183	180	180	215	180	4.4220	1.44	2.82
	x 1950	2400	1950	2760	2333	180	180	215	180	4.7880	1.44	2.96
	x 2100	2400	2100	2760	2483	180	180	215	180	5.1662	1.44	3.09
	x 2250	2400	2250	2760	2633	180	180	215	180	5.5322	1.44	3.22
	x 2400	2400	2400	2760	2783	180	180	215	180	5.9104	1.44	3.35



SOUTHERN CONCRETE SDN. BHD. (385615-W)

Address: PT 1097, 2 1/2KM, Off Jalan Pengkalan, Mukim Sg. Raya, 31300 Kg. Kepayang,

Perak Darul Ridzuan, Malaysia.

Tel: 605-357 4950

Fax: 605-357 4945

Nominal Size		A	B	C	D	E	G	H	r	Water Area	Weight Per Unit	
mm	mm	mm	mm	mm	mm	mm	mm	mm	mm	m ²	Lid tonnes	U-Shape Section tonnes
2700	x 1200	2700	1200	3060	1583	180	180	215	180	2.8196	1.60	3.59
	x 1350	2700	1350	3060	1733	180	180	215	180	3.2314	1.60	3.71
	x 1500	2700	1500	3060	1883	180	180	215	180	3.6563	1.60	3.85
	x 1650	2700	1650	3060	2033	180	180	215	180	4.0686	1.60	3.98
	x 1800	2700	1800	3060	2183	180	180	215	180	4.4941	1.60	4.71
	x 1950	2700	1950	3060	2333	180	180	215	180	4.9058	1.60	4.24
	x 2100	2700	2100	3060	2483	180	180	215	180	5.3313	1.60	4.38
	x 2250	2700	2250	3060	2633	180	180	215	180	5.7430	1.60	4.51
	x 2400	2700	2400	3060	2783	180	180	215	180	6.1685	1.60	4.64
	x 2550	2700	2550	3060	2933	180	180	215	180	6.5803	1.60	4.77
	x 2700	2700	2700	3060	3083	180	180	215	180	7.0057	1.60	4.90
3000	x 1350	3000	1350	3360	1733	180	180	215	180	3.5549	1.76	4.06
	x 1500	3000	1500	3360	1883	180	180	215	180	4.0277	1.76	4.20
	x 1650	3000	1650	3360	2033	180	180	215	180	4.4852	1.76	4.33
	x 1800	3000	1800	3360	2183	180	180	215	180	4.9579	1.76	4.46
	x 1950	3000	1950	3360	2333	180	180	215	180	5.4154	1.76	4.59
	x 2100	3000	2100	3360	2483	180	180	215	180	5.8882	1.76	4.72
	x 2250	3000	2250	3360	2633	180	180	215	180	6.3457	1.76	4.85
	x 2400	3000	2400	3360	2783	180	180	215	180	6.8184	1.76	4.99
	x 2550	3000	2550	3360	2933	180	180	215	180	7.2752	1.76	5.12
	x 2700	3000	2700	3360	3083	180	180	215	180	7.7487	1.76	5.25
	x 2850	3000	2850	3360	3233	180	180	215	180	8.2062	1.76	5.38
x 3000	3000	3000	3360	3383	180	180	215	180	8.6789	1.76	5.52	
3300	x 1500	3300	1500	3660	1883	180	180	215	180	4.3939	1.92	4.56
	x 1650	3300	1650	3660	2033	180	180	215	180	4.8971	1.92	4.69
	x 1800	3300	1800	3660	2183	180	180	215	180	5.4171	1.92	4.82
	x 1950	3300	1950	3660	2333	180	180	215	180	5.9204	1.92	4.95
	x 2100	3300	2100	3660	2483	180	180	215	180	6.4404	1.92	5.09
	x 2250	3300	2250	3660	2633	180	180	215	180	6.9437	1.92	5.21
	x 2400	3300	2400	3660	2783	180	180	215	180	7.4637	1.92	5.35
	x 2550	3300	2550	3660	2933	180	180	215	180	7.9669	1.92	5.48
	x 2700	3300	2700	3660	3083	180	180	215	180	8.4870	1.92	5.61
	x 2850	3300	2850	3660	3233	180	180	215	180	8.9902	1.92	5.74
	x 3000	3300	3000	3660	3383	180	180	215	180	9.5102	1.92	5.88
3600	x 1650	3600	1650	3960	2033	180	180	215	180	5.3044	2.07	5.06
	x 1800	3600	1800	3960	2183	180	180	215	180	5.8717	2.07	5.19
	x 1950	3600	1950	3960	2333	180	180	215	180	6.4207	2.07	5.32
	x 2100	3600	2100	3960	2483	180	180	215	180	6.9880	2.07	5.46
	x 2250	3600	2250	3960	2633	180	180	215	180	7.5370	2.07	5.59
	x 2400	3600	2400	3960	2783	180	180	215	180	8.1043	2.07	5.72
	x 2550	3600	2550	3960	2933	180	180	215	180	8.6533	2.07	5.85
	x 2700	3600	2700	3960	3083	180	180	215	180	9.2206	2.07	5.98
	x 2850	3600	2850	3960	3233	180	180	215	180	9.7696	2.07	6.11
	x 3000	3600	3000	3960	3383	180	180	215	180	10.3369	2.07	6.25